



Herschel iQ thermostats enable control of your Herschel heaters straight from an App on your smartphone and from the local room thermostat.

Mains hard wired range

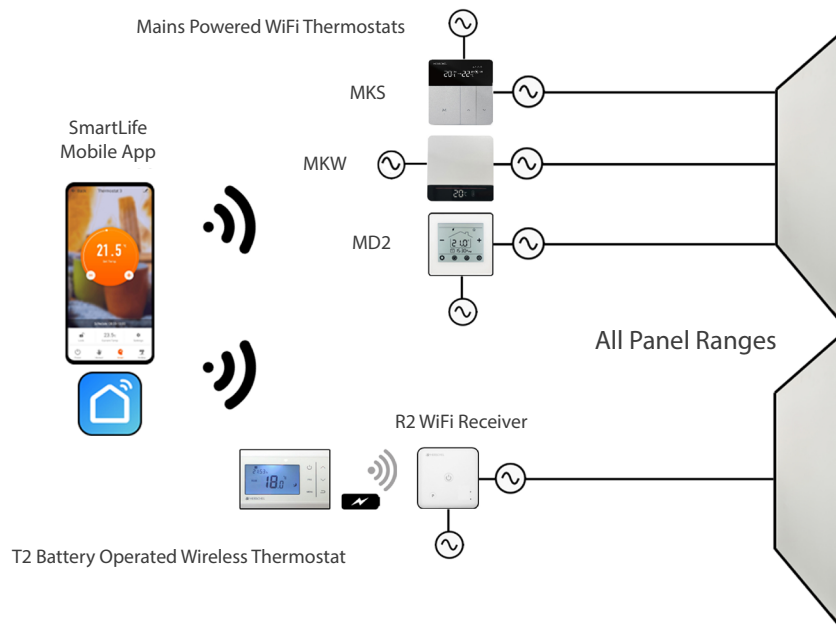
The **MKW**, **MKS** and **MD2** are mains thermostats which must be hard wired to the heater(s). They can each handle a load of 3.6kW and control temperatures of up to 45C. Additional load will require use of contactors. They can be recessed into walls via a standard pattress box or surface wall mounted. Professional installation by a qualified electrician is required.

They can be used with the Inspire, Select XLS or Herschel space heating range and are particularly suited to new builds and renovations where the power cables can be neatly chased into the walls. When using with Select XLS range the receiver will be by-passed, providing a hard wired solution.

MKW, MKS and MD2 can be connected to WiFi and controlled via the Smartlife App which is free to download. Programming of the MKW and MKS must be done via the App, the MD2 has the option of programming without the App. Once set up, control can be via the thermostat, via the App or a combination of both. They have lockable keypads. MKW is finished in a discreet white and the MKS comes in an elegant silver design. Both feature push button control and display the current room and target room temperature. MD2 is controlled via the touchscreen interface.

We also have the **T2** battery operated thermostat. This provides a simple to use solution, App-enabled and stand alone, that is ideal for smaller installations or retrofit. This solution reduces the need for major disruption to walls/ceilings for cabling because the receiver (R2) can be located close to the heater and fused spur and the thermostat placed anywhere in the room. T2 wirelessly pairs to any number of R2 receivers (additional R2 receivers are available separately). R2 receivers are wired to the mains and to heaters (up to 2kW of Herschel heaters on the same circuit). Note: Select XLS range panels have their own wireless controls (see XLS controls).

We advise one controller per room to allow room by room temperature control *. So if you have more than one panel in a room, you only need one controller per room.



	MKS	MKW	T-MD2	T-T2/T-R2
Power Type	Mains-wired	Mains-wired	Mains-wired	Battery/Mains-wired
Heater Connection	Wired	Wired	Wired	Wireless (T2 to R2), Wired (R2 to heater)
WiFi Option	✓ Via Smart Life App**	✓ Via Smart Life App**	✓ Via Smart Life App**	✓ Via Smart Life App**
Voice Control via Google Assistant & Alexa	✓	✓	✓	✓
Can control 1 or multiple heaters	✓ (up to 3.6kW) 16Amp***	✓ (up to 3.6kW) 16Amp***	✓ (up to 3.6kW) 16Amp***	✓ (up to 2kW)***
Heater Compatibility	All panel ranges	All panel ranges	All panel ranges	All panel ranges
Open Window technology	✓	✓	✓	✓
Adaptive Start	✓	✓	✓	✓
Keypad Lock	✓	✓	✓	
Temperature Range	Up to 45°C	Up to 45°C	Up to 45°C	Up to 35°C
IP Rating	IPX0	IPX0	IP30	IP20
Warranty	24 months	24 months	24 months	24 months

* For larger rooms or specialist commercial applications (e.g hot yoga) you may require more than one thermostat per room. Your Herschel representative can advise. ** Requires 2.4GHz WiFi

*** Greater loads can be controlled via appropriately sized contactors which can in turn be switched on and off by the thermostats.

Herschel thermostats have been specially developed for use with Herschel Infrared heaters only.

All Herschel controls ensure optimum comfort levels, maximum energy efficiency and full compliance with European Energy Saving legislation (Lot 20).